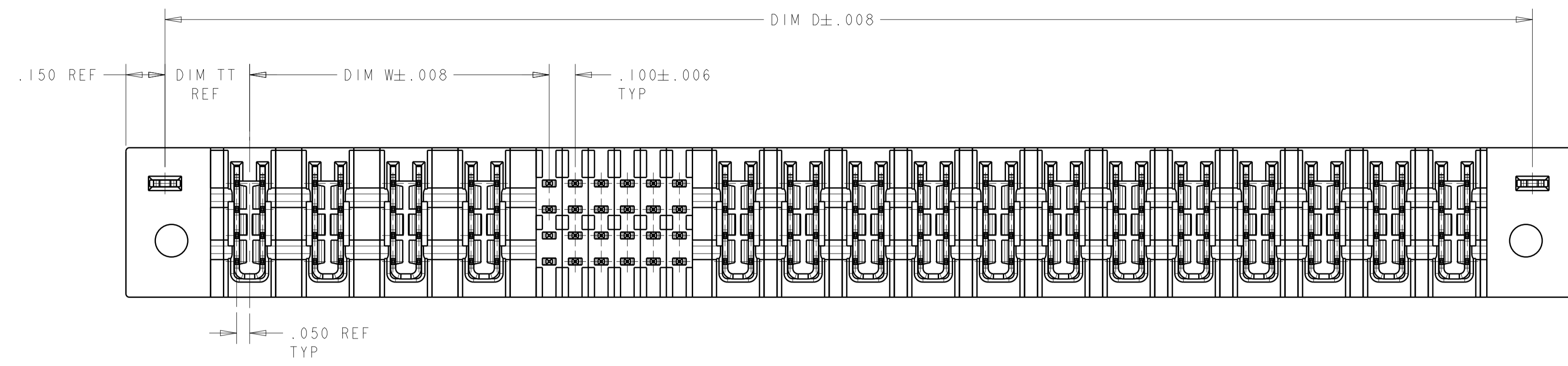
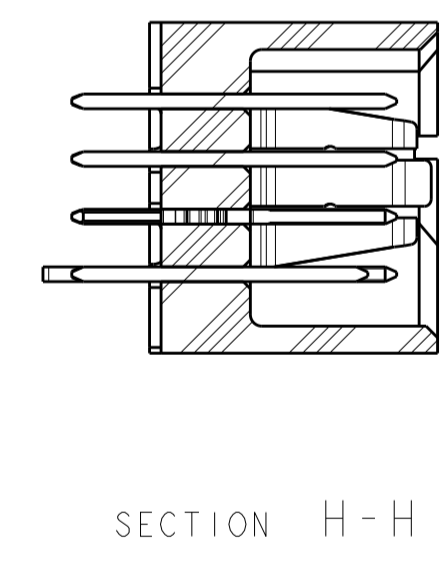
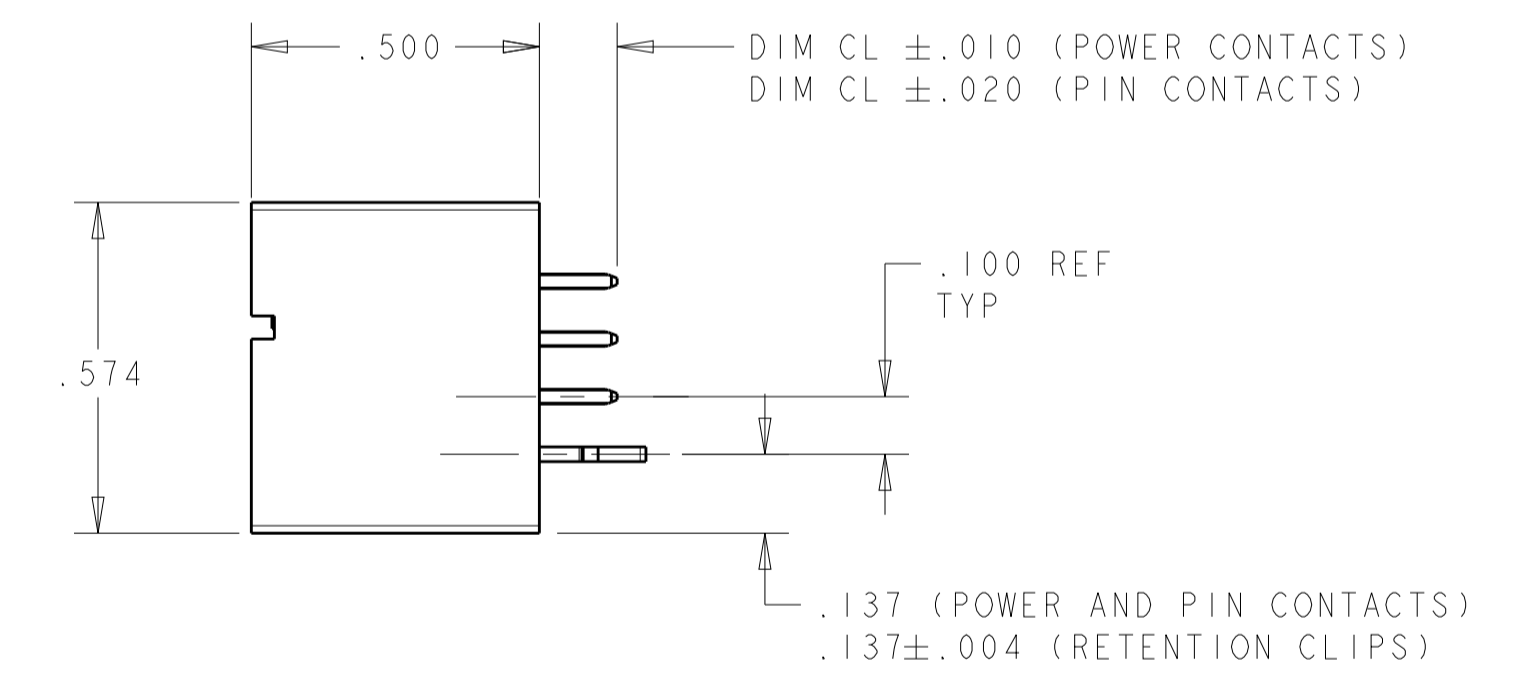
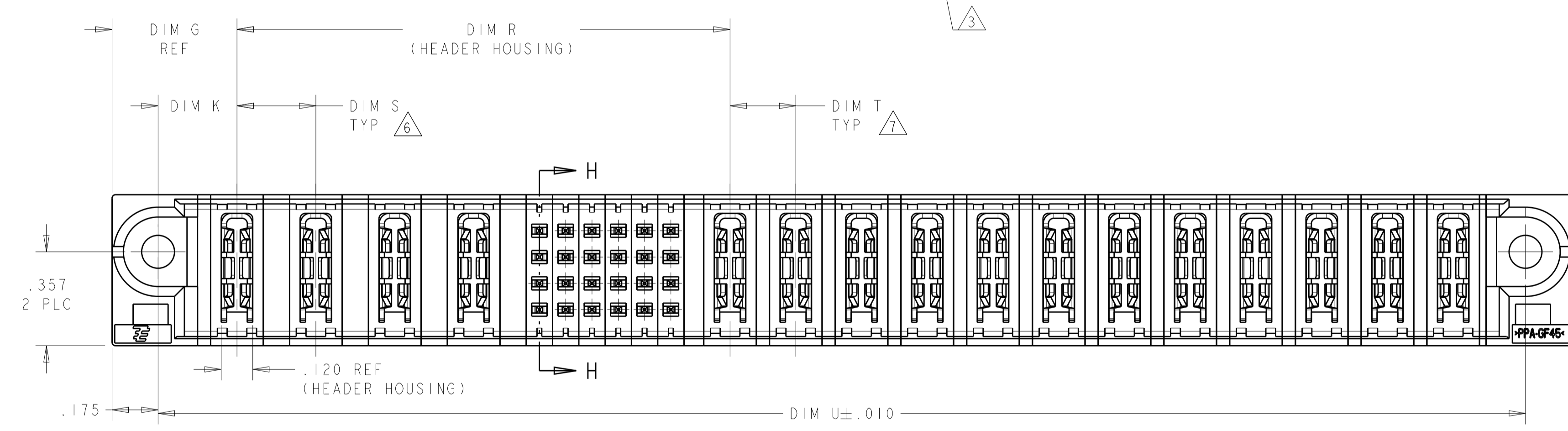
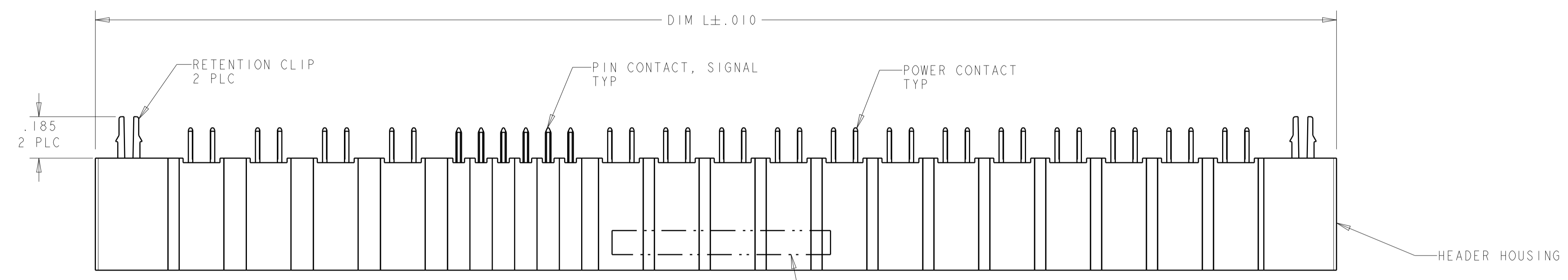


LOC		DIST		REVISIONS			
P	LTN	DESCRIPTION	DATE	DWN	APVD		
J3		ADDED NEW DASH -23.	06DEC2010	IL	SZ		
J4		ADDED NEW DASH NUMBER 2--4	12AUG2012	CZ	SZ		
J6		REV PER ECR-13-014088	06SEP2013	CZ	SZ		
J7		ADD NEW DASH NUMBER 2-5	10FEB2015	CZ	SZ		



- △ 1 HEADER HOUSING: THERMO PLASTIC, BLACK, UL94 V-O; CONTACTS AND RETENTION CLIPS: COPPER ALLOY.
- △ 2 CONTACT PLATING: NOBLE METAL PLATING ON CONTACT FUNCTIONAL AREA OF POWER AND SIGNAL CONTACTS
- △ 3 "AMP", PART NUMBER AND DATE CODE MARKED IN THIS AREA. PARTS UNDER 2.50 LONG MAY BE MARKED ON BOTH SIDES.
- △ 4 DATUM AND BASIC DIMENSIONS ESTABLISHED BY CUSTOMER.
- △ 5 PCB - ALL HOLE DIAMETERS ARE FINISHED HOLE SIZES.
- △ 6 APPLIES TO POWER MODULES ON LEFT SIDE OF SIGNAL CAVITIES OF HOUSING.
- △ 7 APPLIES TO POWER MODULES ON RIGHT SIDE OF SIGNAL CAVITIES OF HOUSING.
- △ 8 MECHANICAL CONNECTOR KEEP OUT ZONE.




THIS DRAWING IS A CONTROLLED DOCUMENT.		DWN: J. McCLINTON 22MAR2005	TE Connectivity
DIMENSIONS: INCH		CHK: D. TROUT 22MAR2005	
TOLERANCES UNLESS OTHERWISE SPECIFIED:		APVD: B. WHYNE 22MAR2005	NAME: VERTICAL HEADER ASSEMBLY W/ GUIDES AND SOLDER TAILS MULTI-BEAM XL
0 PLC ±	1 PLC ±	PRODUCT SPEC 108-1973	SIZE: A100779
2 PLC ±	3 PLC ±.005	APPLICATION SPEC 114-13038	CAGE CODE: C=6600330
4 PLC ±.0020	ANGLES ±	WEIGHT	RESTRICTED TO
MATERIAL	FINISH	CUSTOMER DRAWING	SCALE: 4:1 SHEET 1 OF 10 REV J7

THIS DRAWING IS UNPUBLISHED. RELEASED FOR PUBLICATION 20
 © COPYRIGHT 20 TE CONNECTIVITY ALL RIGHTS RESERVED.

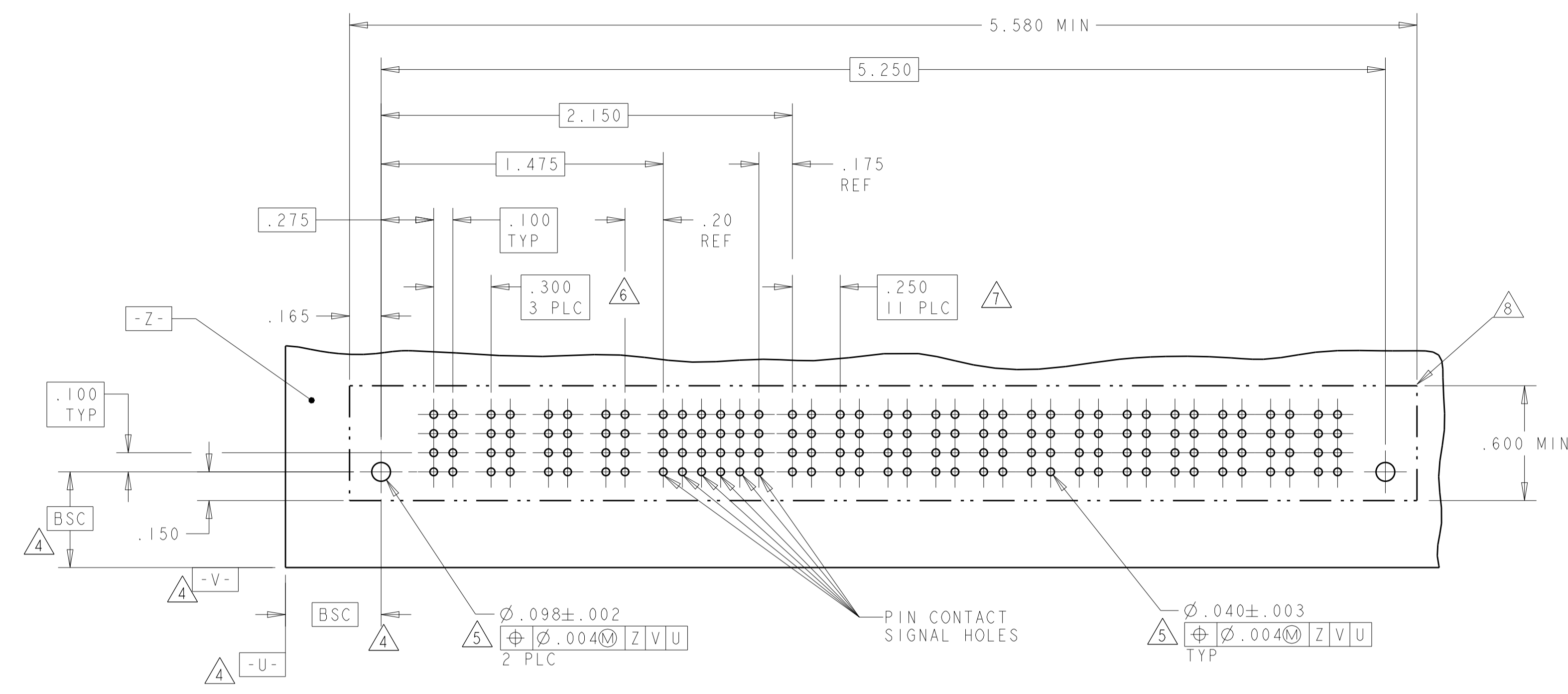
LOC	DIST	REVISIONS					
		P.	LTN	DESCRIPTION	DATE	DWN	APVD
ES	00	-		SEE SHEET 1	-	-	-

DIM "CL"	DIM "TT"	DIM "W"	DIM "U"	DIM "T"	DIM "S"	DIM "R"	DIM "L"	DIM "K"	DIM "G"	DIM "D"	RETENTION CLIP	DESCRIPTION	PART NUMBER
.135	.300	.175	1.600	-	-	1.050	1.950	.275	.450	1.650	YES	1P + 32S + 1P	2-6600330-5
.135	.300	.175	1.300	-	-	.750	1.650	.275	.450	1.350	YES	1P + 20S + 1P	2-6600330-4
.135	.175	-	.400	-	-	-	.750	.200	.375	.450	YES	4S	2-6600330-3
.135	.300	.425	1.600	.250	.250	.800	1.950	.275	.450	1.650	YES	2P + 12S + 2P	2-6600330-1
.135	.300	.925	3.200	.250	.250	1.900	3.550	.275	.450	3.250	YES	4P + 36S + 4P	2-6600330-0
.135	.300	.975	3.000	.250	.250	1.700	3.350	.275	.450	3.050	YES	4P + 24S + 4P	1-6600330-9
.135	.300	.375	2.400	.200	.200	1.650	2.750	.275	.450	2.450	YES	2HDP + 48S + 2HDP	1-6600330-3
.135	.300	.675	2.400	.250	.250	1.350	2.750	.275	.450	2.450	YES	3P + 24S + 3P	1-6600330-2
.135	.325	1.700	4.500	.300	.300	2.400	4.850	.300	.475	4.550	YES	6ACP + 24S + 6ACP	1-6600330-1
.135	.300	2.175	5.400	.250	.250	2.850	5.750	.275	.450	5.450	YES	9P + 24S + 9P	1-6600330-0
.135	.300	.925	2.900	.250	.250	1.600	3.250	.275	.450	2.950	NO	4P + 24S + 4P	6600330-9
.135	.300	.975	3.250	.250	.250	1.700	3.600	.275	.450	3.300	YES	4P + 24S + 5P	6600330-8
.165	.300	.425	1.900	.250	.250	1.100	2.250	.275	.450	1.950	YES	2P + 24S + 2P	6600330-6
.135	.300	1.375	4.000	.200	.200	2.250	4.350	.275	.450	4.050	YES	7P + 32S + 7P	6600330-5
.135	.325	.225	1.575	-	-	.950	1.925	.300	.475	1.625	YES	1P + 24S + 1P	6600330-4
.135	.300	1.975	4.200	.300	.250	2.725	4.550	.275	.450	4.250	YES	8P + 24S + 4ACP	6600330-3
.135	.325	.250	2.500	-	-	1.900	2.850	.300	.475	2.550	YES	1P + 60S + 1P	6600330-2
.135	.325	1.150	5.200	.250	.300	1.875	5.550	.300	.475	5.250	YES	4ACP + 24S + 12P	6600330-1

THIS DRAWING IS A CONTROLLED DOCUMENT.		DWN J. McCLINTON 22MAR2005	 TE Connectivity
DIMENSIONS: INCH		CHK D. TROUT 22MAR2005	
TOLERANCES UNLESS OTHERWISE SPECIFIED: 0 PLC ±. 1 PLC ±. 2 PLC ±. 3 PLC ±. 4 PLC ±.0020 ANGLES ±.		APVD B. WHYNE 22MAR2005	NAME VERTICAL HEADER ASSEMBLY W/ GUIDES AND SOLDER TAILS MULTI-BEAM XL
MATERIAL		PRODUCT SPEC 108-1973	RESTRICTED TO
FINISH		APPLICATION SPEC 114-13038	SIZE A100779
		WEIGHT	CAGE CODE 6600330
		CUSTOMER DRAWING	SCALE 4:1
			SHEET 2 OF 10
			REV J7

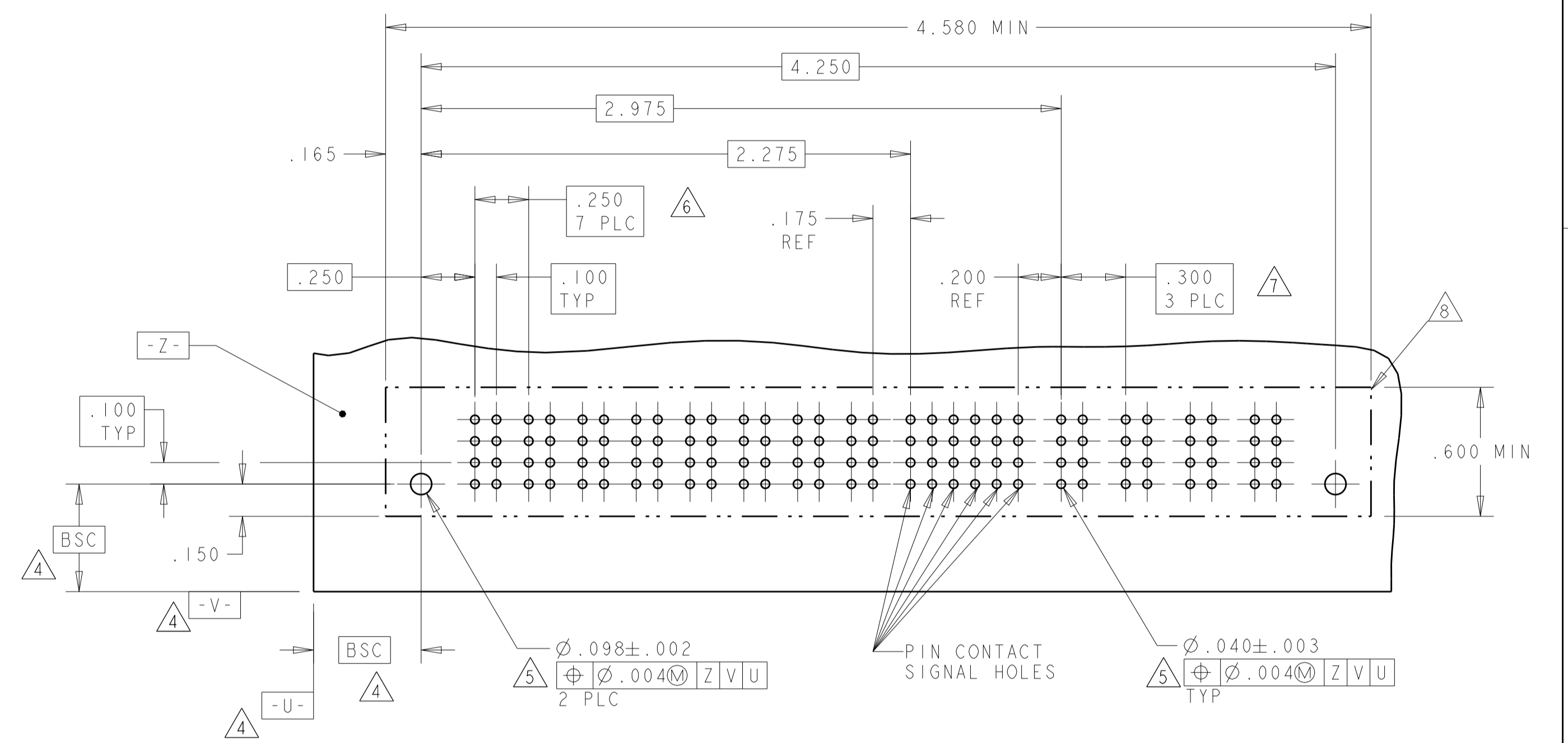
LOC	DIST	REV	DATE	BY	APPV
ES	00				

PART NUMBER	ROWS	POWER				SIGNAL						POWER																	
		P1	P2	P3	P4	1	2	3	4	5	6	P5	P6	P7	P8	P9	P10	P11	P12	P13	P14	P15	P16						
6600330-1	D	SZ	SZ	SZ	SZ	SV	SV	SV	SV	SV	SV	SV	SV	SV	SV	SV	SV	SV	SV	SV	SV	SV	SV	SV					
	C					SV	SV	SV	SV	SV	SV	SV	SV	SV	SV	SV	SV	SV	SV	SV	SV	SV	SV	SV	SV				
	B					SV	SV	SV	SV	SV	SV	SV	SV	SV	SV	SV	SV	SV	SV	SV	SV	SV	SV	SV	SV				
	A					SV	SV	SV	SV	SV	SV	SV	SV	SV	SV	SV	SV	SV	SV	SV	SV	SV	SV	SV	SV				
4P+24S+12P		HD																										HD	



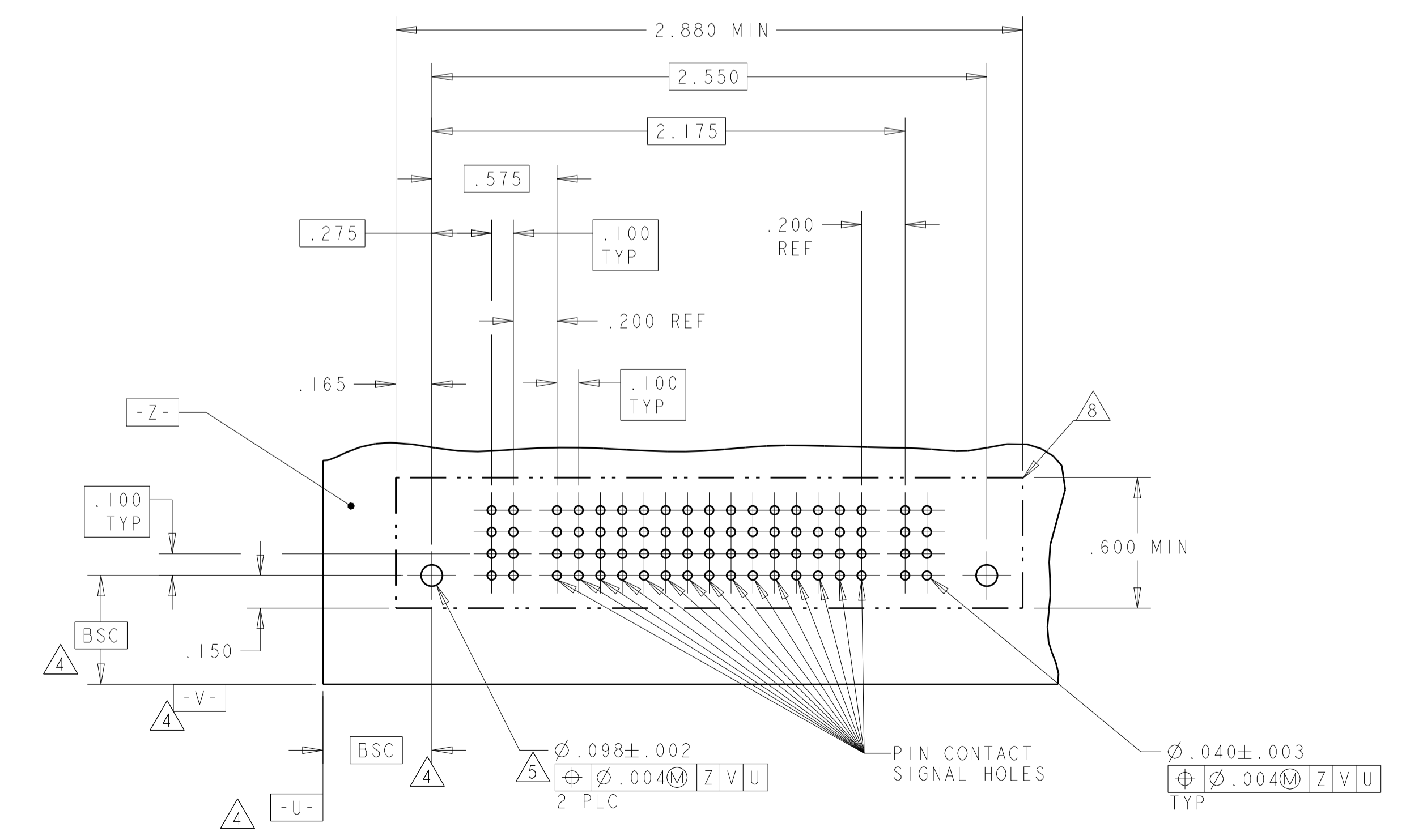
RECOMMENDED PCB LAYOUT 6600330-1
SCALE 2:1

PART NUMBER	ROWS	POWER				SIGNAL						POWER					
		P1	P2	P3	P4	1	2	3	4	5	6	P9	P10	P11	P12		
6600330-3	D	SZ	SZ	SZ	SZ	SV	SV	SV	SV	SV	SV	SV	SV	SV	SV		
	C					SV	SV	SV	SV	SV	SV	SV	SV	SV	SV		
	B					SV	SV	SV	SV	SV	SV	SV	SV	SV	SV		
	A					SV	SV	SV	SV	SV	SV	SV	SV	SV	SV		
8P+24S+4ACP		HD														HD	



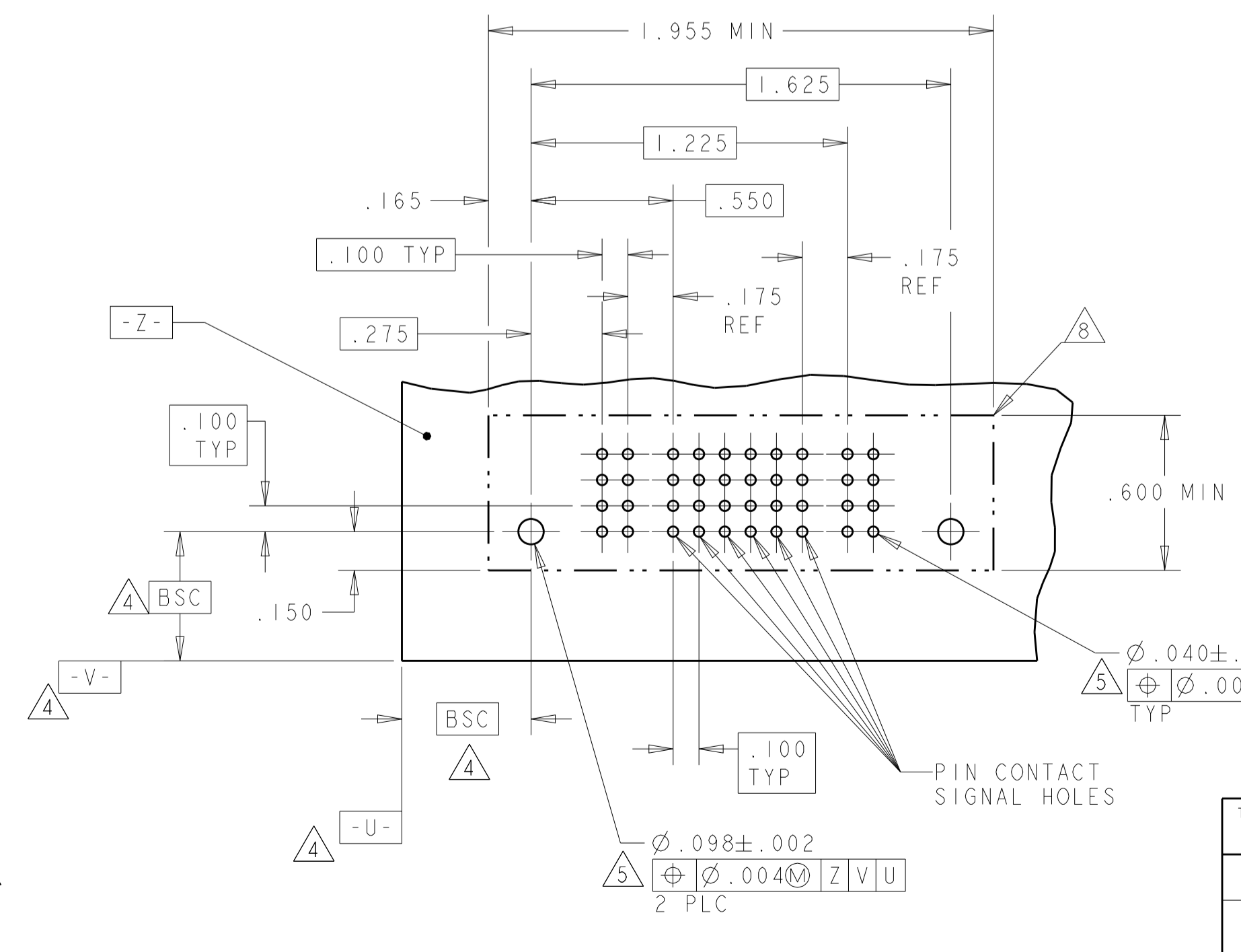
RECOMMENDED PCB LAYOUT 6600330-3
SCALE 2:1

PART NUMBER	ROWS	SIGNAL														POWER			
		1	2	3	4	5	6	7	8	9	10	11	12	13	14	15	P2		
6600330-2	D	SZ	SV	SV	SV	SV	SV	SV	SV	SV	SV	SV	SV	SV	SV	SV	SV	SZ	
	C		SV	SV	SV	SV	SV	SV	SV	SV	SV	SV	SV	SV	SV	SV			
	B		SV	SV	SV	SV	SV	SV	SV	SV	SV	SV	SV	SV	SV	SV			
	A		SV	SV	SV	SV	SV	SV	SV	SV	SV	SV	SV	SV	SV	SV			
1P+60S+1P		HD																HD	



RECOMMENDED PCB LAYOUT 6600330-2
SCALE 2:1

PART NUMBER	ROWS	SIGNAL						POWER			
		1	2	3	4	5	6	P2			
6600330-4	D	SV	SV	SV	SV	SV	SV	SZ			
	C	SV	SV	SV	SV	SV	SV				
	B	SV	SV	SV	SV	SV	SV				
	A	SV	SV	SV	SV	SV	SV				
1P+24S+1P		HD								HD	



RECOMMENDED PCB LAYOUT 6600330-4
SCALE 2:1

MATING SEQUENCE	DESCRIPTION	IDENTIFIER
-	RETENTION CLIP	HD
STANDARD	SIGNAL CONTACT	SV or MV
MLBF	SIGNAL CONTACT	SS or MS
-	POWER CONTACT	SZ or MP

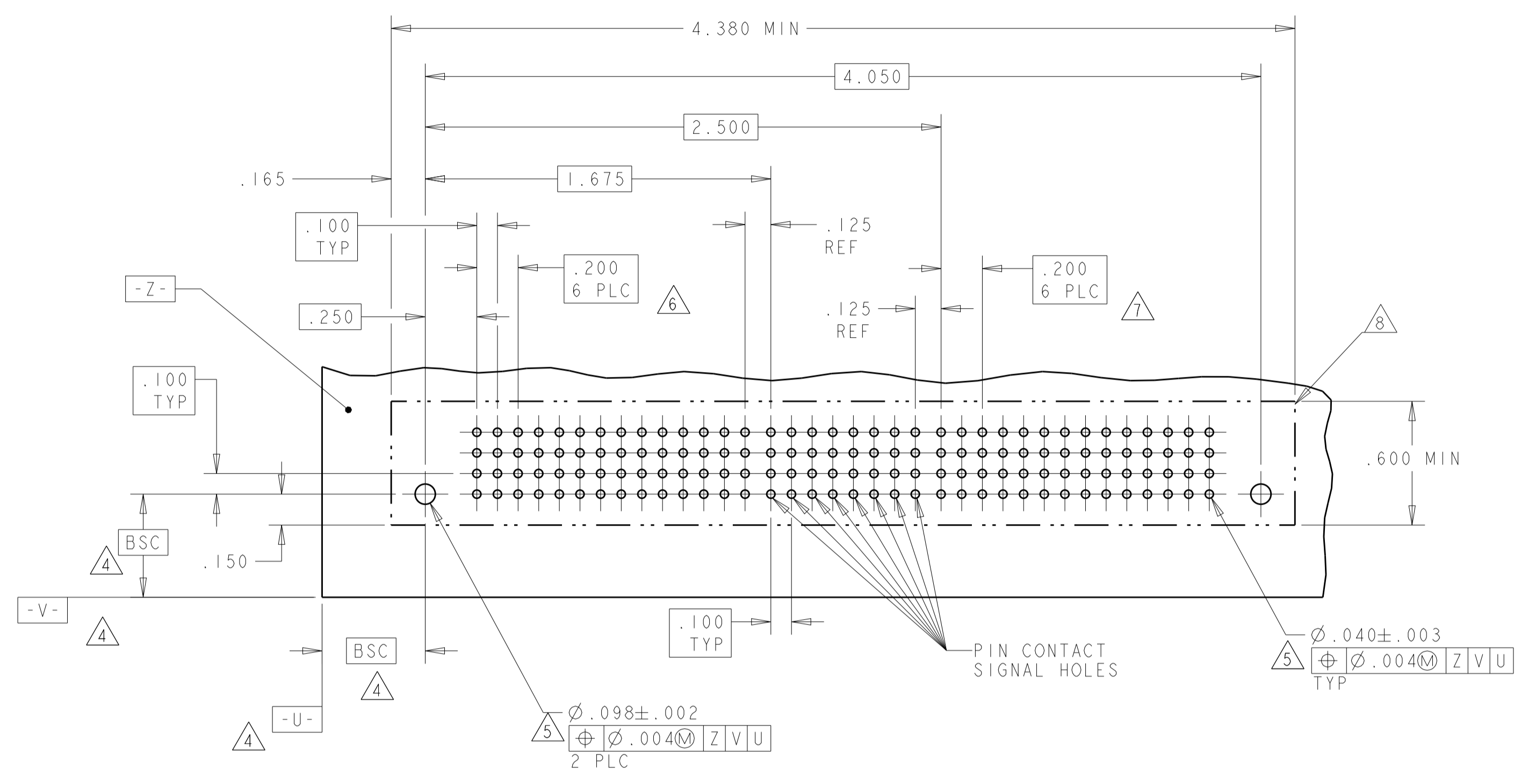
THIS DRAWING IS A CONTROLLED DOCUMENT.

DIMENSIONS: INCH	TOLERANCES UNLESS OTHERWISE SPECIFIED:	OWN: J. McCLINTON 22MAR2005	CHK: D. TROUT 22MAR2005	APV: R. MHYNE 22MAR2005
0 PLC ± .010	1 PLC ± .005	2 PLC ± .005	3 PLC ± .005	4 PLC ± .002
ANGLES ± .020		PRODUCT SPEC 108-1973	APPLICATION SPEC 114-13038	WEIGHT
MATERIAL	FINISH	SIZE: 114-13038	CAGE CODE: 6600330	RESTRICTED TO: A100779
		CUSTOMER DRAWING	SCALE: 4:1	SHEET 3 OF 10

TE Connectivity
STE
 VERTICAL HEADER ASSEMBLY W/ GUIDES AND SOLDER TAILS MULTI-BEAM XL

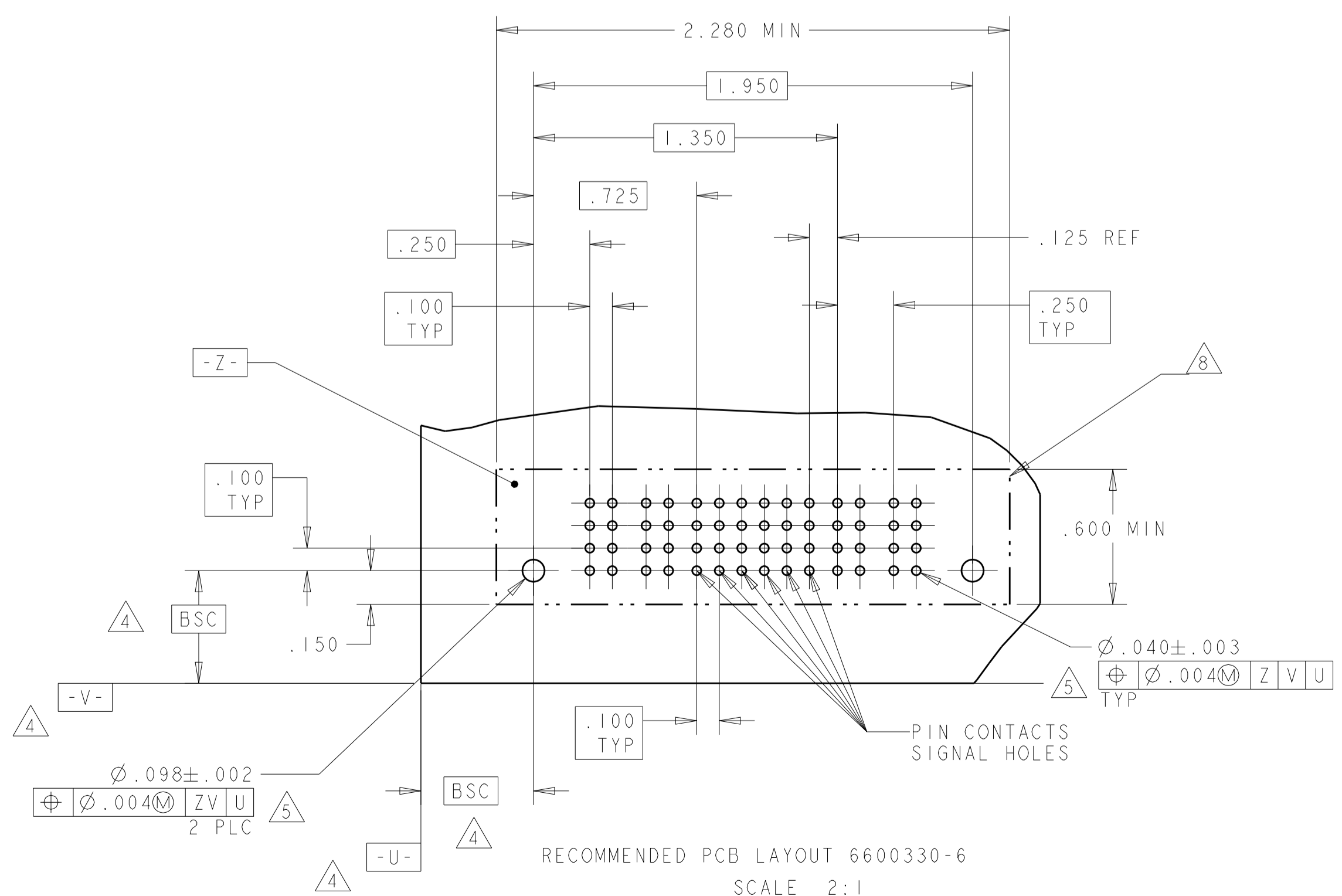
LOC	DIST	REVISIONS			
P	LTN	DESCRIPTION	DATE	OWN	APVD
ES	00	SEE SHEET 1			

PART NUMBER	ROWS	POWER						SIGNAL								POWER														
		P1	P2	P3	P4	P5	P6	P7	1	2	3	4	5	6	7	8	P8	P9	P10	P11	P12	P13	P14							
6600330-5	D	SZ	SZ	SZ	SZ	SZ	SZ	SV	SV	SV	SV	SV	SV	SV	SV	SZ	SZ	SZ	SZ	SZ	SZ	SZ								
	SV							SV	SV	SV	SV	SV	SV	SV																
	SV							SV	SV	SV	SV	SV	SV	SV																
	SV							SV	SV	SV	SV	SV	SV	SV																
7P+32S+7P	HD																													HD



RECOMMENDED PCB LAYOUT 6600330-5
SCALE 2:1

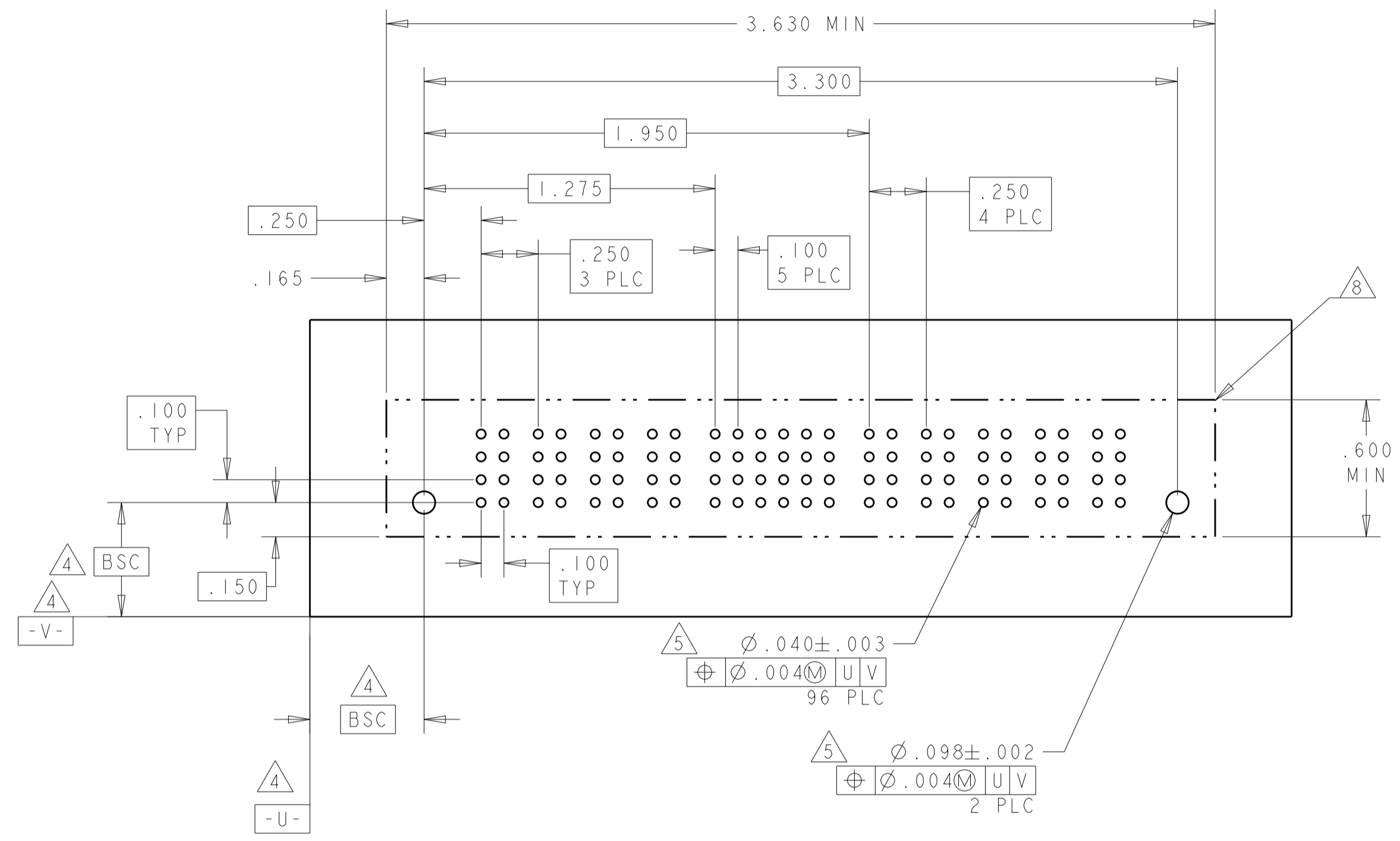
PART NUMBER	ROWS	POWER		SIGNAL						POWER		
		P1	P2	1	2	3	4	5	6	P3	P4	
6600330-6	D	MP	MP	MV	MV	MS	MV	MV	MV	MP	MP	
	MV			MV	MV	MV	MV	MV				
	MV			MV	MS	MV	MV	MV				
	MV			MV	MV	MV	MV	MV				
2P+24S+2P	HD											HD



RECOMMENDED PCB LAYOUT 6600330-6
SCALE 2:1

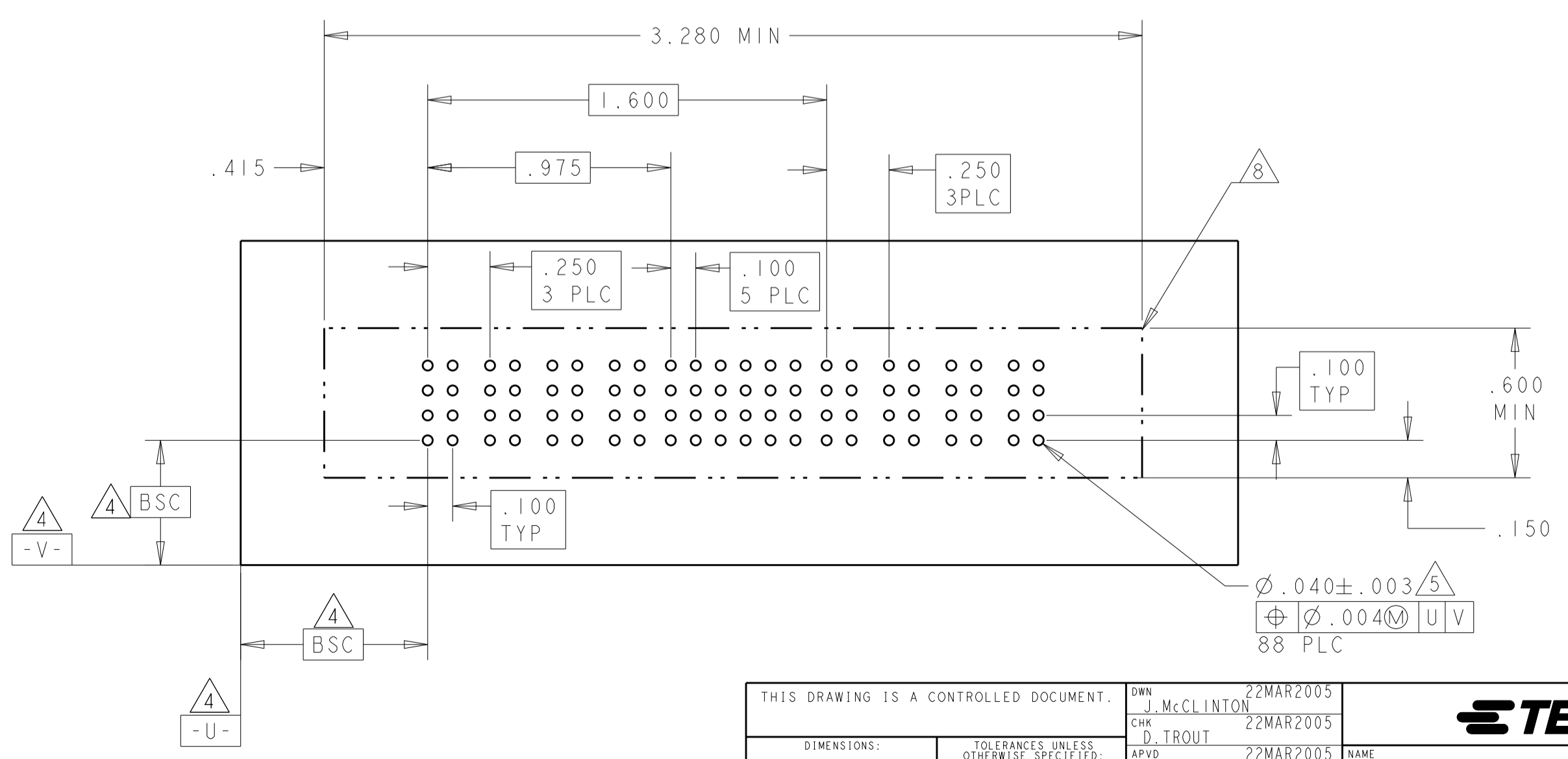
PART NUMBER	ROWS	POWER				SIGNAL					POWER						
		P1	P2	P3	P4	1	2	3	4	5	6	P5	P6	P7	P8	P9	
6600330-8	D	SZ	SZ	SZ	SZ	SS	SV	SS	SV	SV		SZ	SZ	SZ	SZ	SZ	
	SV					SV	SV	SV	SV								
	SV					SS	SV	SS	SV								
	SS					SS	SV	SV	SS								
4P+24S+5P	HD																HD

NO CONTACTS LOADED



RECOMMENDED PCB LAYOUT FOR 6600330-8

PART NUMBER	ROWS	POWER				SIGNAL						POWER			
		P1	P2	P3	P4	1	2	3	4	5	6	P5	P6	P7	P8
6600330-9	D	SZ	SZ	SZ	SZ	SV	SV	SV	SV	SV	SV	SZ	SZ	SZ	SZ
	SV					SV	SV	SV	SV	SV					
	SV					SV	SV	SV	SV	SV					
	SV					SV	SV	SV	SV	SV					
4P+24S+4P															



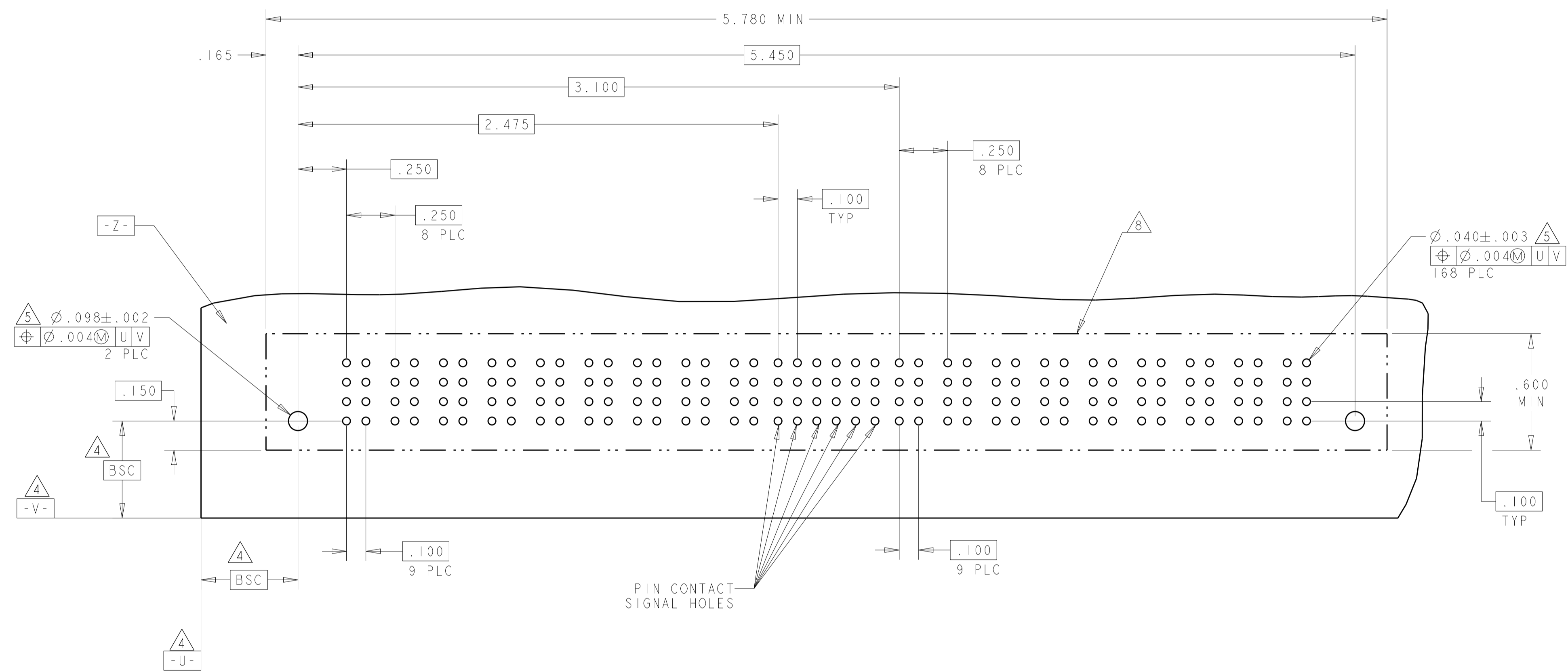
THIS DRAWING IS A CONTROLLED DOCUMENT.

DIMENSIONS: INCH 	TOLERANCES UNLESS OTHERWISE SPECIFIED: 0 PLC ± 1 PLC ± 2 PLC ± 3 PLC ±.005 4 PLC ±.002 ANGLES ±.020	OWN: J. McCLINTON 22MAR2005 CHK: D. TROUT 22MAR2005 APVD: B. MLYNE 22MAR2005 PRODUCT SPEC 108-1973 APPLICATION SPEC 114-13038 WEIGHT CUSTOMER DRAWING	NAME: VERTICAL HEADER ASSEMBLY W/ GUIDES AND SOLDER TAILS MULTI-BEAM XL SIZE: A1 CAGE CODE: 6600330 DRAWING NO: 100779 SCALE: 4:1 SHEET: 4 OF 10 REV: J7
-------------------------	---	---	--

TE Connectivity

LOC	DIST	REVISIONS			
ES	00	REV	DATE	BY	APPV
-	-	SEE SHEET 1	-	-	-

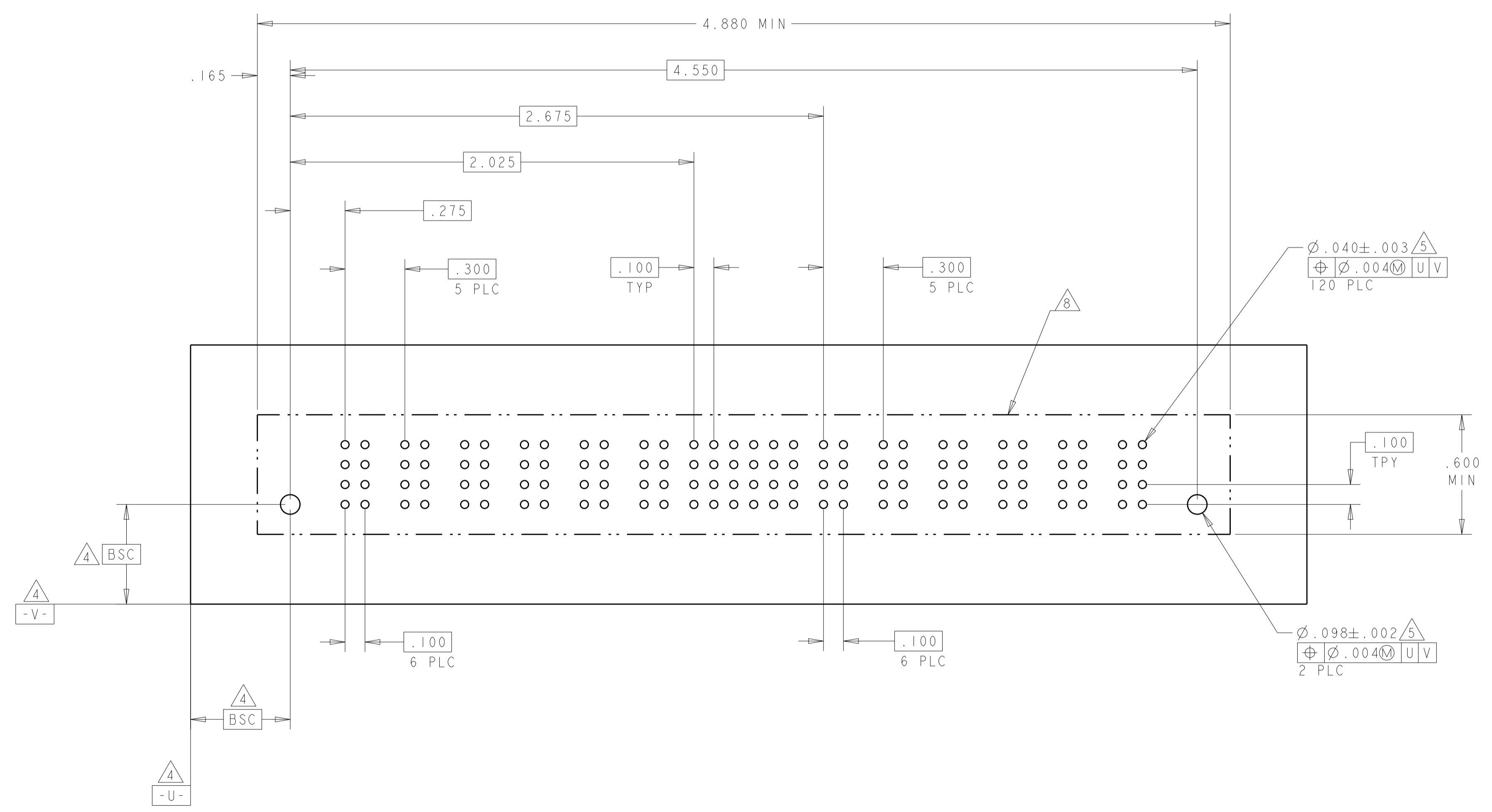
PART NUMBER	ROWS	POWER									SIGNAL						POWER												
		P1	P2	P3	P4	P5	P6	P7	P8	P9	1	2	3	4	5	6	PI0	PI1	PI2	PI3	PI4	PI5	PI6	PI7	PI8				
I-6600330-0	D		SZ	SZ	SZ	SZ	SZ	SZ	SZ	SZ	SV	SV	SV	SV	SV	SV	SZ	SZ	SZ	SZ	SZ	SZ	SZ	SZ	SZ				
	SV										SV	SV	SV	SV	SV														
	SV										SV	SV	SV	SV	SV														
	SV										SV	SV	SV	SV	SV														
9P+24S+9P	HD																												HD



THIS DRAWING IS A CONTROLLED DOCUMENT.		DWN J. McCLINTON 22MAR2005 CHK D. TROUT 22MAR2005 APVD B. WHYNE 22MAR2005	TE Connectivity	
DIMENSIONS: INCH	TOLERANCES UNLESS OTHERWISE SPECIFIED: 0 PLC ±. 1 PLC ±. 2 PLC ±. 3 PLC ±.005 4 PLC ±.0020 ANGLES ±.	PRODUCT SPEC 108-1973 APPLICATION SPEC 114-13038 WEIGHT - CUSTOMER DRAWING	NAME VERTICAL HEADER ASSEMBLY W/ GUIDES AND SOLDER TAILS MULTI-BEAM XL SIZE CAGE CODE DRAWING NO. RESTRICTED TO A100779C=6600330 - SCALE 4:1 SHEET 5 OF 10 REV J7	

LOC	DIST	REVISIONS					
		P	LTN	DESCRIPTION	DATE	DWN	APVD
ES	00	-	-	SEE SHEET 1	-	-	-

PART NUMBER	ROWS	POWER						SIGNAL						POWER						
		P1	P2	P3	P4	P5	P6	1	2	3	4	5	6	P7	P8	P9	P10	P11	P12	
I-6600330-1	D	SZ	SZ	SZ	SZ	SZ	SZ	SV	SV	SV	SV	SV	SV	SZ	SZ	SZ	SZ	SZ	SZ	
	C							SS	SS	SS	SS	SS	SS							
	B							SS	SS	SS	SS	SS	SS							
	A							SS	SS	SS	SS	SS	SS							
6ACP+24S+6ACP	HD																			HD

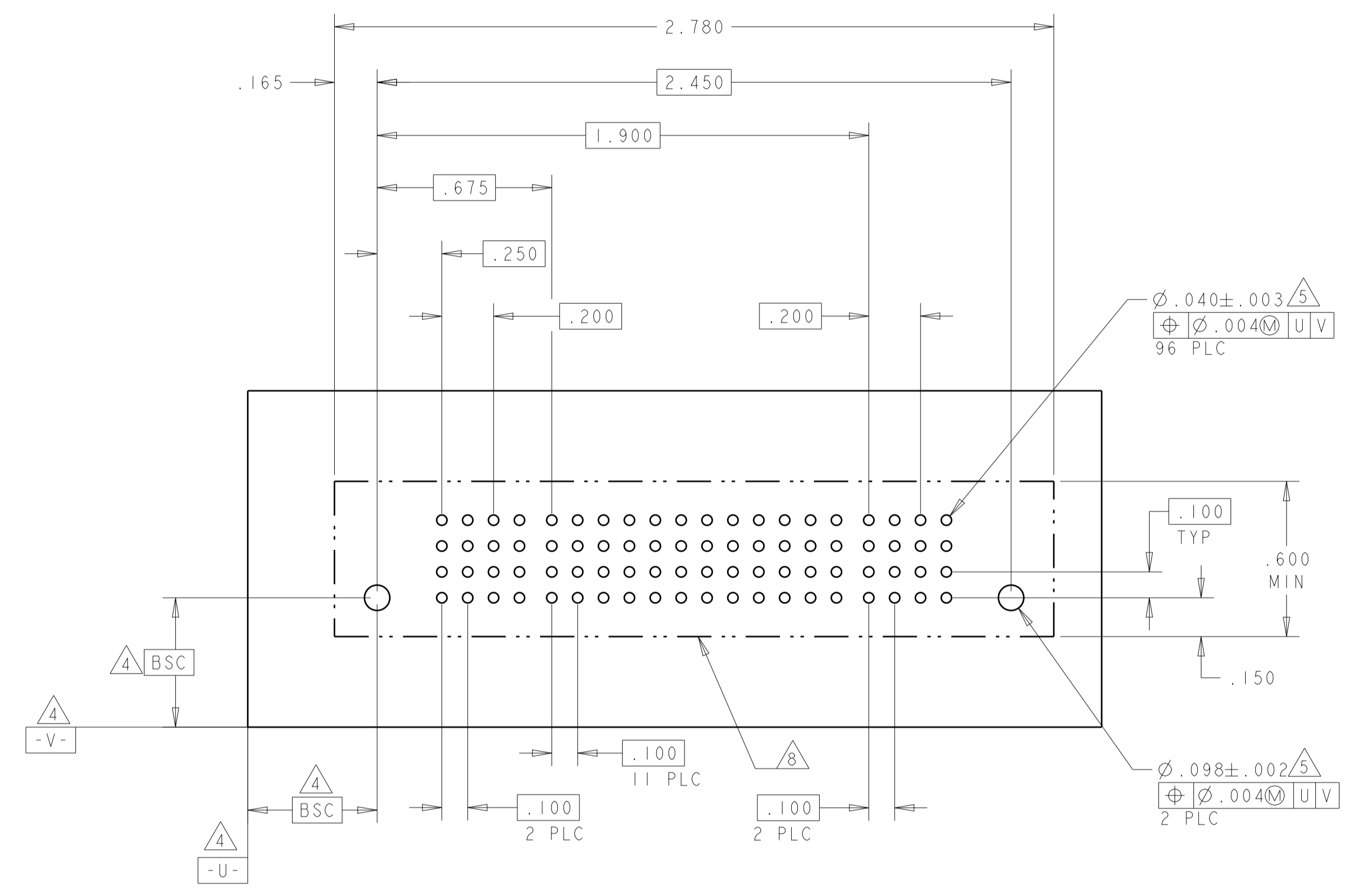
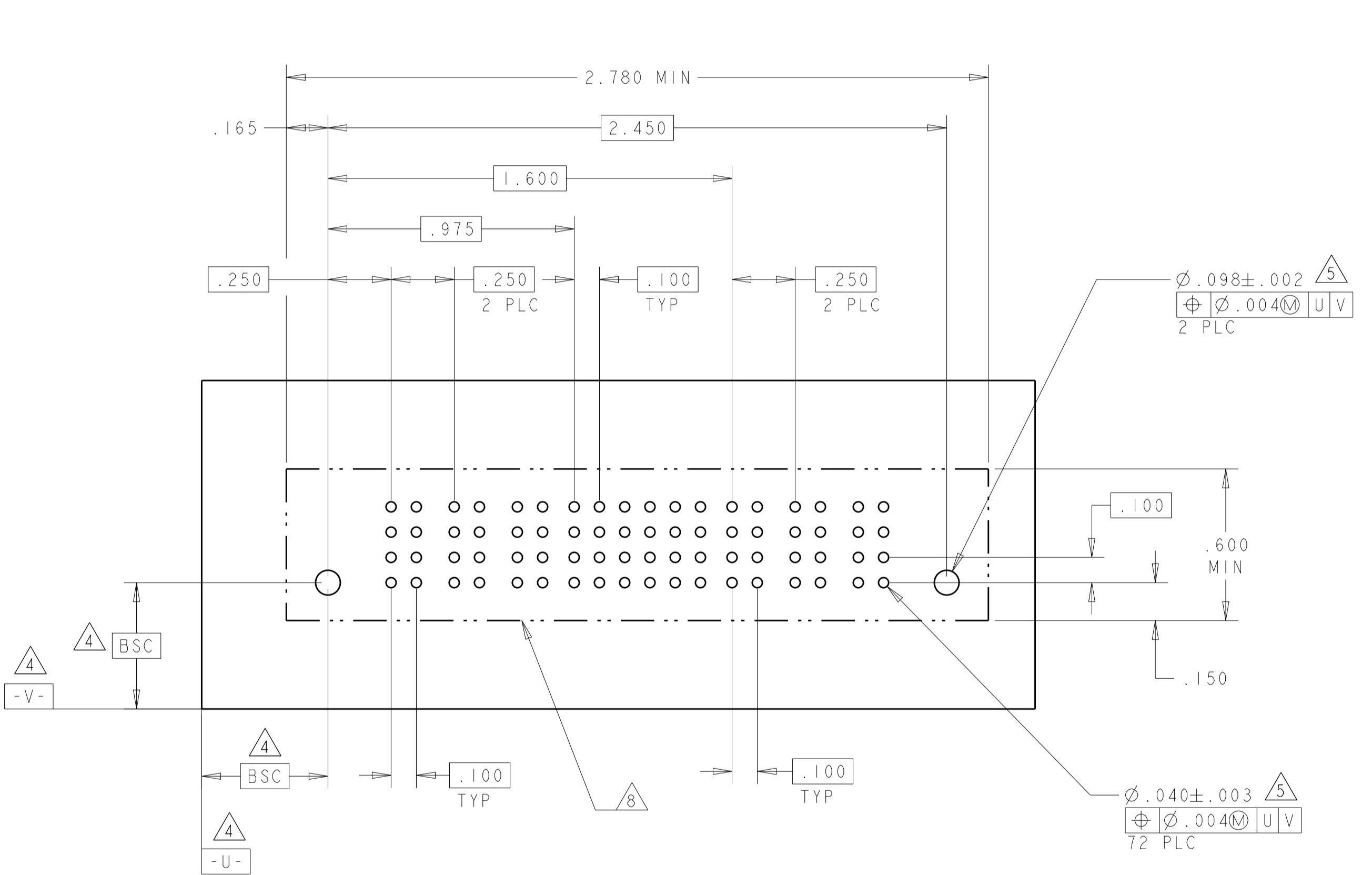


THIS DRAWING IS A CONTROLLED DOCUMENT.		DWN J. McCLINTON 22MAR2005															
DIMENSIONS: INCH		CHK D. TROUT 22MAR2005															
TOLERANCES UNLESS OTHERWISE SPECIFIED:		APVD B. WHYNE 22MAR2005	NAME VERTICAL HEADER ASSEMBLY W/ GUIDES AND SOLDER TAILS MULTI-BEAM XL														
<table border="1"> <tr> <td>0 PLC</td> <td>±</td> </tr> <tr> <td>1 PLC</td> <td>±</td> </tr> <tr> <td>2 PLC</td> <td>±</td> </tr> <tr> <td>3 PLC</td> <td>±</td> </tr> <tr> <td>4 PLC</td> <td>±.005</td> </tr> <tr> <td>ANGLES</td> <td>±.0020</td> </tr> <tr> <td>FINISH</td> <td>-</td> </tr> </table>		0 PLC	±	1 PLC	±	2 PLC	±	3 PLC	±	4 PLC	±.005	ANGLES	±.0020	FINISH	-	PRODUCT SPEC 108-1973	RESTRICTED TO
0 PLC	±																
1 PLC	±																
2 PLC	±																
3 PLC	±																
4 PLC	±.005																
ANGLES	±.0020																
FINISH	-																
MATERIAL		APPLICATION SPEC 114-13038	SIZE A100779														
WEIGHT		CAGE CODE 6600330	SCALE 4:1														
CUSTOMER DRAWING		SCALE 4:1	SHEET 6 OF 10														
		REV J7															

LOC	DIST	REVISIONS			
P	LTN	DESCRIPTION	DATE	DMN	APVD
ES	00	SEE SHEET 1			

PART NUMBER	ROWS	POWER			SIGNAL						POWER		
		P1	P2	P3	1	2	3	4	5	6	P4	P5	P6
I-6600330-2	D	SZ	SZ	SZ	SV	SV	SV	SV	SV	SV	SZ	SZ	SZ
	C				SV	SV	SV	SV	SV	SV			
	B				SV	SV	SV	SV	SV	SV			
	A				SV	SV	SV	SV	SV	SV			
3P + 24S + 3P													

PART NUMBER	ROWS	POWER		SIGNAL												POWER				
		P1	P2	1	2	3	4	5	6	7	8	9	10	11	12	P3	P4			
I-6600330-3	D	SZ	SZ	SV	SV	SS	SS	SV	SS	SS	SV	SS	SS	SV	SS	SS	SV	SS	SZ	SZ
	C			SS	SS	SV	SS	SS	SS	SS	SV	SS	SS	SS	SS					
	B			SV	SV	SS	SS	SS	SS	SS	SV	SS	SS	SS						
	A			SS	SS	SV	SS	SS	SS	SS	SV	SS	SS	SS						
2HDP + 48S + 2HDP																				

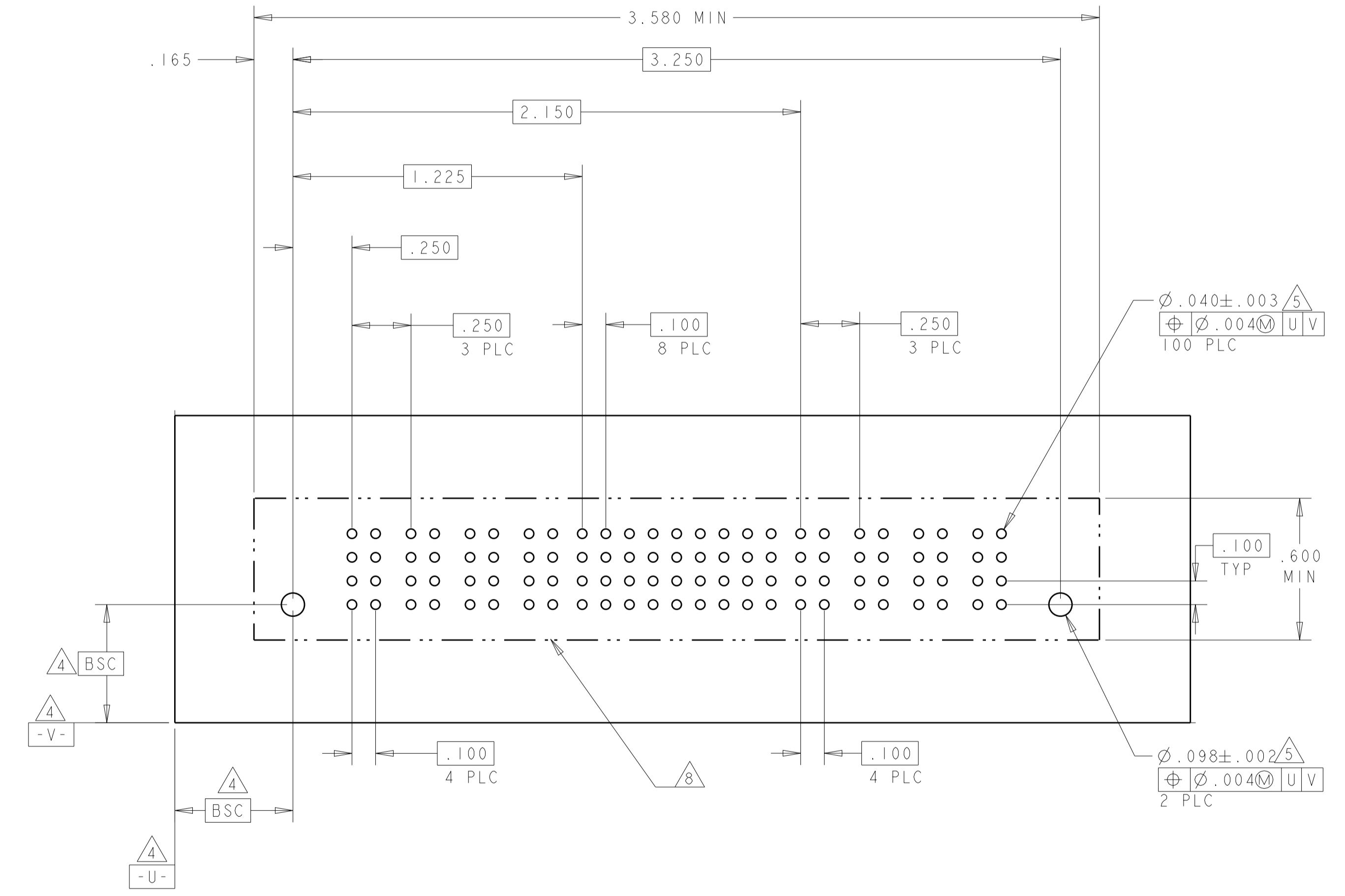
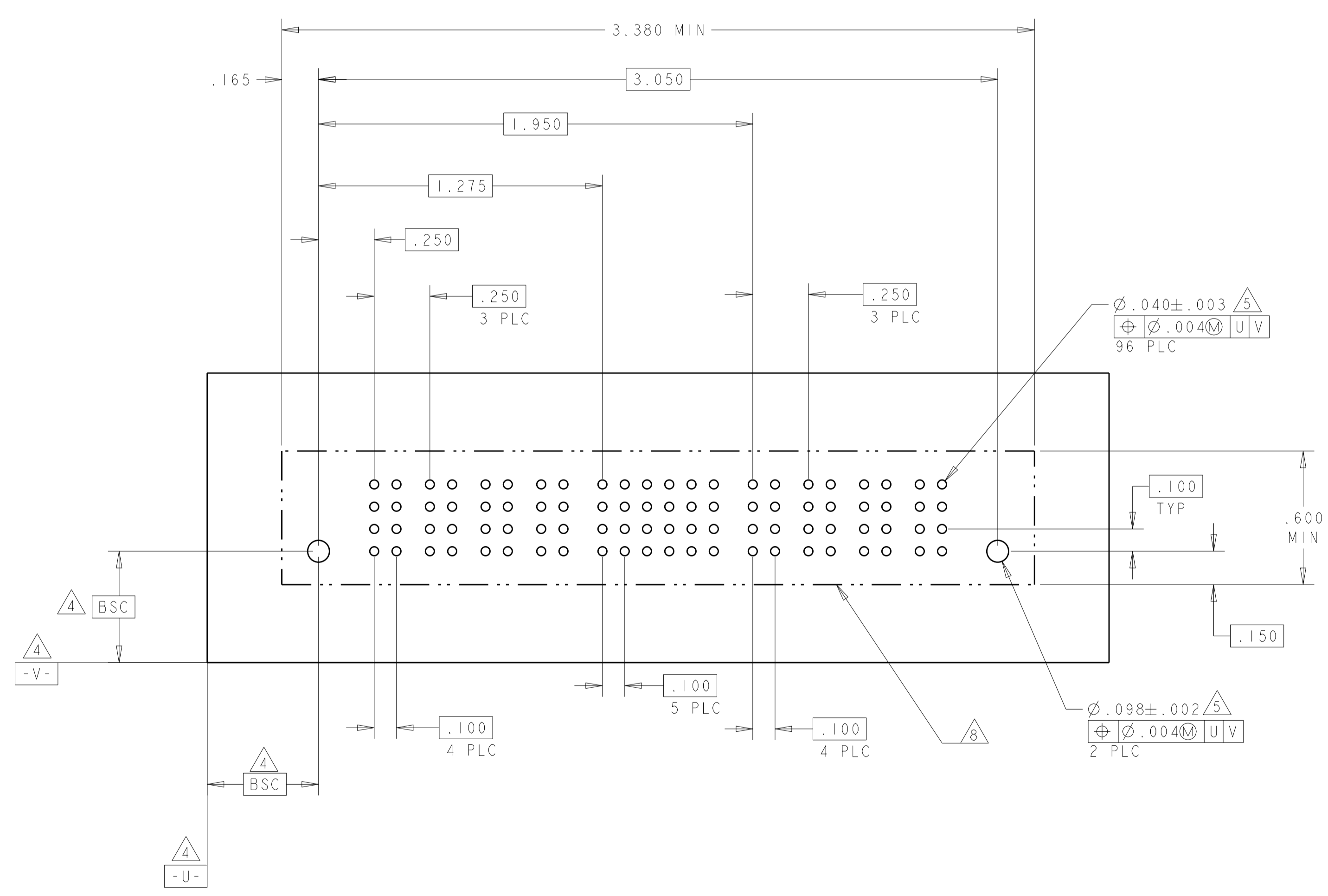


THIS DRAWING IS A CONTROLLED DOCUMENT.		DMN J. McCLINTON 22MAR2005	 TE Connectivity
DIMENSIONS: INCH		CHK D. TROUT 22MAR2005	
TOLERANCES UNLESS OTHERWISE SPECIFIED:		APVD B. WHYNE 22MAR2005	NAME VERTICAL HEADER ASSEMBLY W/ GUIDES AND SOLDER TAILS MULTI-BEAM XL
0 PLC ± 1 PLC ± 2 PLC ± 3 PLC ±.005 4 PLC ±.0020 ANGLES ±.0020 FINISH		PRODUCT SPEC 108-1973	SIZE A100779
MATERIAL		APPLICATION SPEC 114-13038	CAGE CODE C=6600330
		WEIGHT	RESTRICTED TO
		CUSTOMER DRAWING	SCALE 4:1 SHEET 7 OF 10 REV J7

LOC	DIST	REV	DATE	BY	APPD
ES	00				
REVISIONS			DATE	BY	APPD
- SEE SHEET 1			-	-	-

PART NUMBER	ROWS	POWER				SIGNAL						POWER			
		P1	P2	P3	P4	1	2	3	4	5	6	P5	P6	P7	P8
1-6600330-9	D	SZ	SZ	SZ	SZ	SS	SS	SS	SS	SV	SS	SZ	SZ	SZ	SZ
	C					SS	SS	SS	SS	SV	SS				
	B					SS	SS	SS	SS	SV	SS				
	A					SS	SS	SV	SS	SV	SS				
4P+24S+4P		HD													HD

PART NUMBER	ROWS	POWER				SIGNAL									POWER					
		P1	P2	P3	P4	1	2	3	4	5	6	7	8	9	P5	P6	P7	P8		
2-6600330-0	D	SZ	SZ	SZ	SZ	SV	SV	SV	SV	SV	SV	SV	SV	SV	SV	SV	SZ	SZ	SZ	SZ
	C					SV	SV	SV	SV	SV	SV	SV	SV	SV	SV					
	B					SV	SV	SV	SV	SV	SV	SV	SV	SV	SV					
	A					SV	SV	SV	SV	SV	SV	SV	SV	SV	SV					
4P+36S+4P		HD																		HD



THIS DRAWING IS A CONTROLLED DOCUMENT.

DIMENSIONS:	TOLERANCES UNLESS OTHERWISE SPECIFIED:	OWN	J. McCLINTON	22MAR2005
INCH	0 PLC ± .005	CHK	D. TROUT	22MAR2005
	1 PLC ± .005	APPD	B. WHYNE	22MAR2005
	2 PLC ± .005	PRODUCT SPEC		
	3 PLC ± .005	APPLICATION SPEC		
	4 PLC ± .002	SIZE	114-13038	
	ANGLES ± .002	WEIGHT		
MATERIAL	FINISH	CUSTOMER DRAWING		

NAME: VERTICAL HEADER ASSEMBLY W/ GUIDES AND SOLDER TAILS MULTI-BEAM XL

SIZE: A1 00779 C=6600330

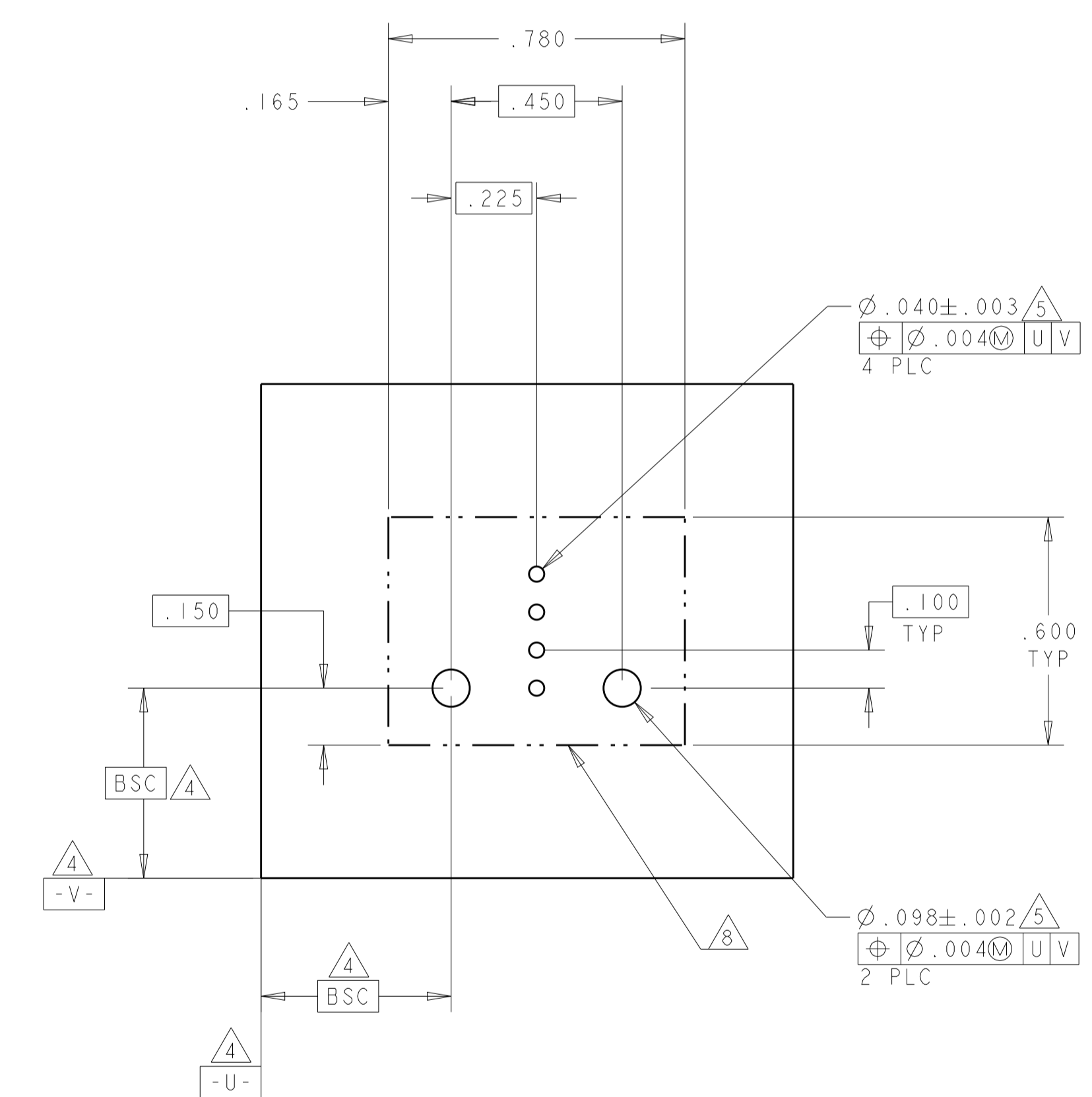
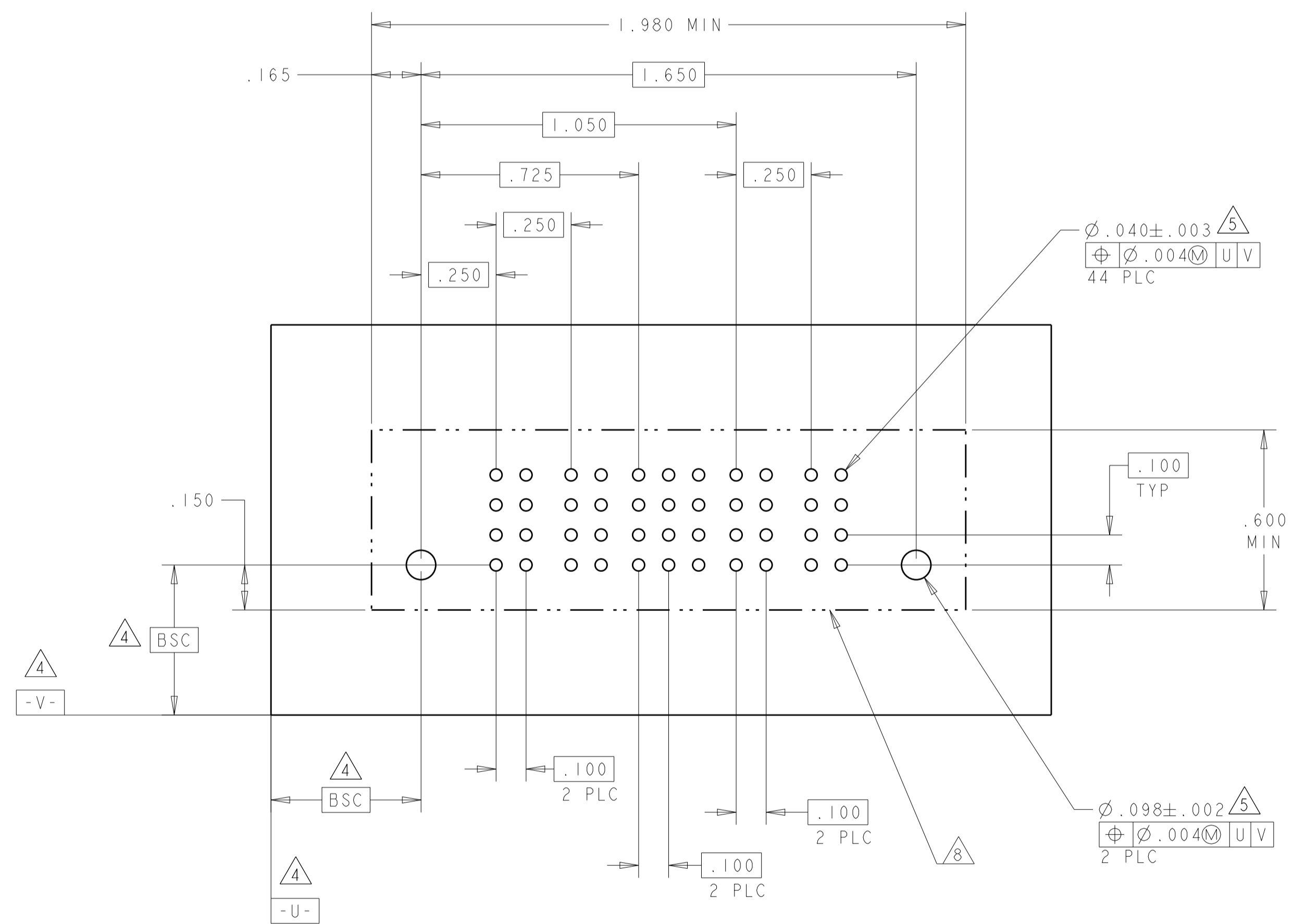
SCALE: 4:1 SHEET 8 OF 10 REV J7

LOC	DIST	REVISIONS			
P	LTN	DESCRIPTION	DATE	DMN	APVD
ES	00	SEE SHEET 1			

PART NUMBER	ROWS	POWER		SIGNAL			POWER	
		P1	P2	1	2	3	P3	P4
2-6600330-1	D	SZ	SZ	SV	SV	SV	SZ	SZ
	C			SV	SV	SV		
	B			SV	SV	SV		
	A			SV	SV	SV		
2P + 12S + 2P		HD					HD	

PART NUMBER	ROWS	SIGNAL	
		1	2
2-6600330-3	D	SV	
	C	SV	
	B	SV	
	A	SV	
4S		HD	HD

J3



THIS DRAWING IS A CONTROLLED DOCUMENT. DWN: J. McCLINTON 22MAR2005
 CHK: D. TROUT 22MAR2005
 APVD: B. WHYNE 22MAR2005

TE Connectivity

NAME: VERTICAL HEADER ASSEMBLY W/ GUIDES AND SOLDER TAILS MULTI-BEAM XL

PRODUCT SPEC: 108-1973
 APPLICATION SPEC: 114-13038

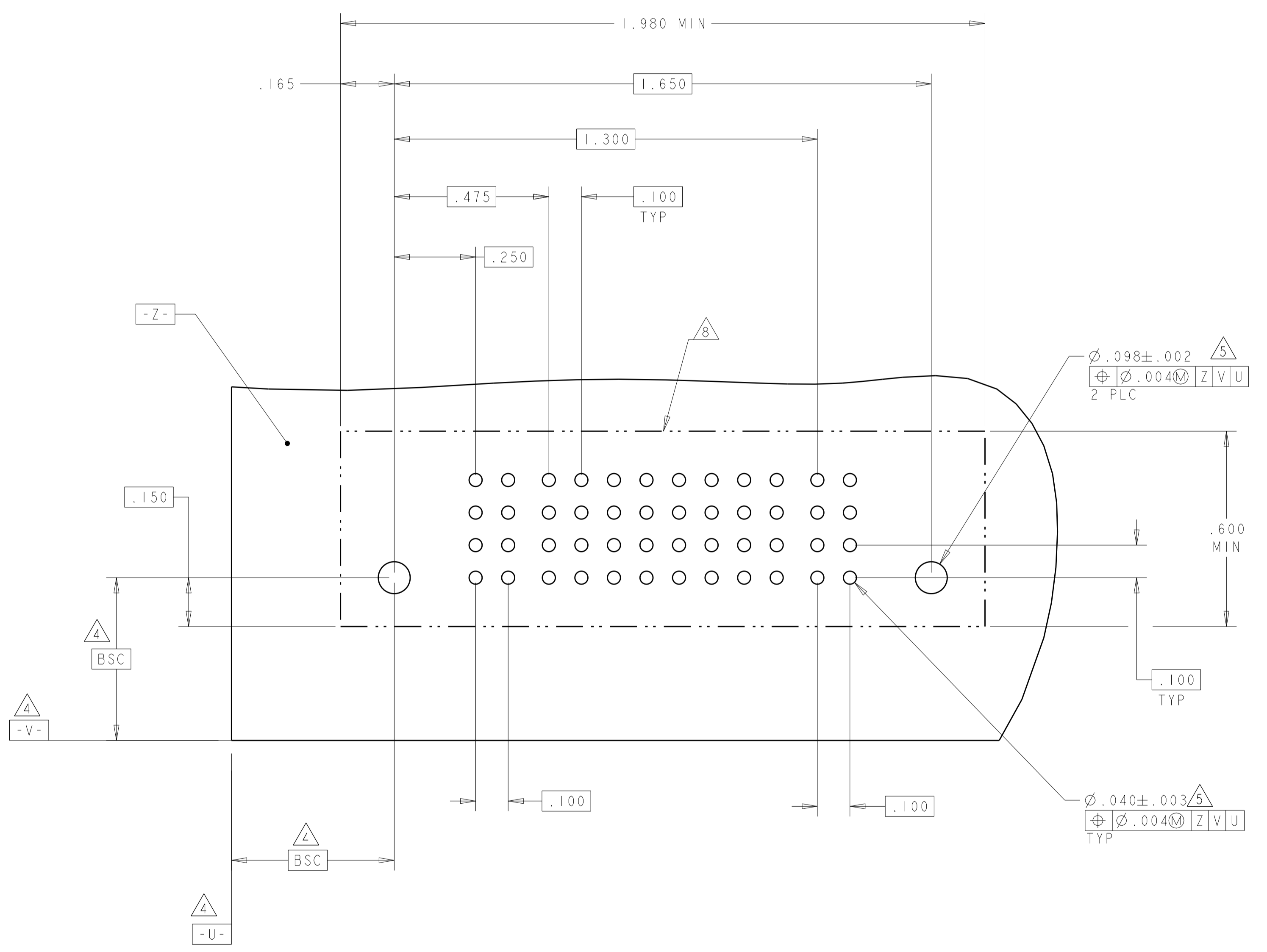
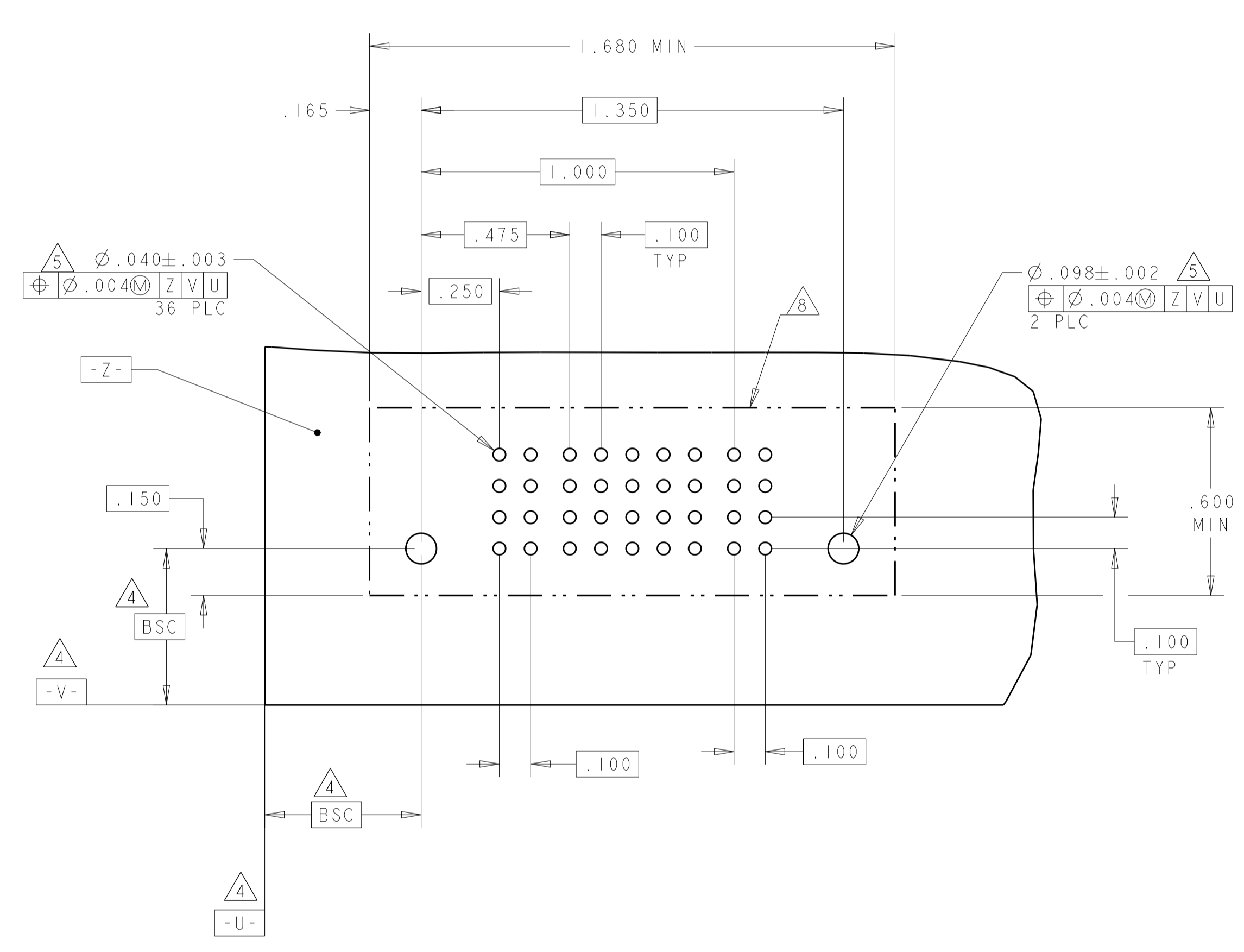
SIZE: A1 00779 C=6600330
 SCALE: 4:1 SHEET 9 OF 10 REV J7

CUSTOMER DRAWING

LOC	DIST	REVISIONS			
P	LTN	DESCRIPTION	DATE	DMN	APVD
ES	00	SEE SHEET 1			

PART NUMBER	ROWS	POWER	SIGNAL					POWER	
			PI	1	2	3	4		5
2-6600330-4	D	SZ	SZ	SV	SV	SV	SV	SV	SZ
	C			SV	SV	SV	SV	SV	
	B			SV	SV	SV	SV	SV	
	A			SV	SV	SV	SV	SV	
IP+20S+IP		HD						HD	

PART NUMBER	ROWS	POWER	SIGNAL								POWER		
			PI	1	2	3	4	5	6	7		8	P2
2-6600330-5	D	SZ	SZ	SV	SV	SV	SV	SV	SV	SV	SV	SV	SZ
	C			SV	SV	SV	SV	SV	SV	SV	SV		
	B			SV	SV	SV	SV	SV	SV	SV	SV		
	A			SV	SV	SV	SV	SV	SV	SV	SV		
IP+32S+IP		HD										HD	



THIS DRAWING IS A CONTROLLED DOCUMENT.

DIMENSIONS: INCH	TOLERANCES UNLESS OTHERWISE SPECIFIED: 0 PLC ± 1 PLC ± 2 PLC ± 3 PLC ±.005 4 PLC ±.0020 ANGLES ±	FINISH	DMN J. McCLINTON 22MAR2005 CHK D. TROUT 22MAR2005 APVD B. WHYNE 22MAR2005	NAME VERTICAL HEADER ASSEMBLY W/ GUIDES AND SOLDER TAILS MULTI-BEAM XL	RESTRICTED TO
MATERIAL	FINISH	WEIGHT	PRODUCT SPEC 108-1973 APPLICATION SPEC 114-13038	SIZE A100779	SCALE 4:1
CUSTOMER DRAWING			SCALE 4:1	SHEET 10	REV J7

TE Connectivity